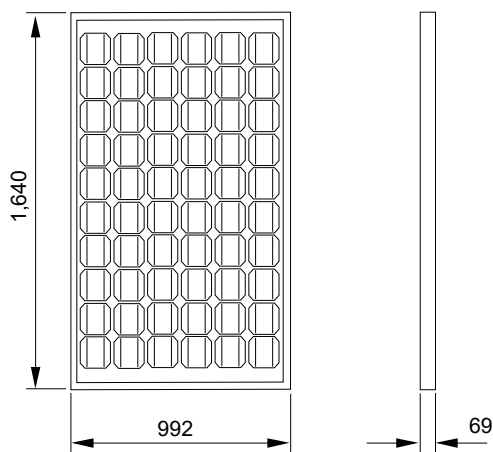




- Simple roof integration with clean, low-profile aesthetic for new build and retrofit
- Rapid installation times of less than 1hour/kWp easily achieved
- Compatible with the widest range of slate and tile including special fixings for Scottish slate roofs
- Fitted during the normal roofing programme, enabling clarity of responsibility and safe working practices
- Achieves highest fire rating and wind resistance without modifications to the roof



320/300

270P-B

270P-W

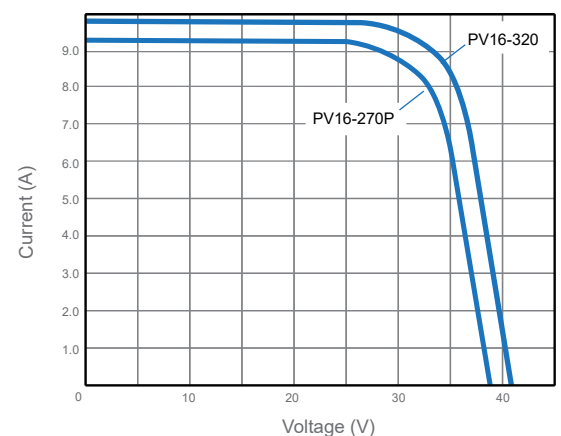
## Mechanical Specification

Model		PV16
Aperture Area	m <sup>2</sup>	1.6
Width (across roof)	mm	992
Height (up roof)	mm	1,640
Thickness	mm	69
Weight	kg	21.0
Static roof loading (distributed)	kg / m <sup>2</sup>	12.9
Characteristic Wind Resistance	kPa	5.32
Ultimate Design Load <sup>1</sup>	kPa	5.32
Positive Design Load	IEC 61215	5.40
Fire Rating	EN 13501-5	B <sub>ROOF</sub> (T1, T2, T3, T4)
Power Warranty	% rated	90% 10 years, 80% 25 years
Standards		IEC61215, 61730, TUV, MCS05, MCS12

## Electrical Specification

Model	PV16-	270P	300	320
Peak Power <sup>2</sup>	Wp	270	300	320
Module Efficiency <sup>3</sup>	%	17.3	19.2	20.5
Number of Cells		60	60	60
Maximum Power Voltage (V <sub>mpp</sub> )	V	30.7	33.1	34.0
Maximum Power Current (I <sub>mpp</sub> )	A	8.8	9.1	9.4
Open Circuit Voltage (V <sub>oc</sub> )	V	37.3	40.1	41.6
Short Circuit Current (I <sub>sc</sub> )	A	9.3	9.6	9.8
NOCT <sup>4</sup>	°C	45.0	45.0	45.0
Cell Type (-crystalline Silicon)		Poly-	Mono-	
Power Temperature Coefficient	% / °C	-0.40	-0.45	
Current Temperature Coefficient	% / °C	0.06	0.06	
Voltage Temperature Coefficient	% / °C	-0.30	-0.34	
Maximum System Voltage	V <sub>DC</sub>	1,000		
Safety Classification		Class II		

## I-V Curves



<sup>1</sup> Design resistance to ultimate loads includes a partial material safety factor of 1.0

<sup>2</sup> Subject to a manufacturing tolerance of +/- 3%.

<sup>3</sup> Based on aperture area.

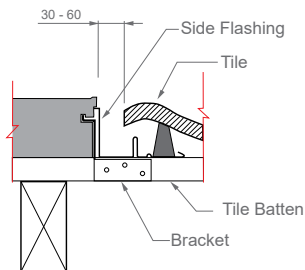
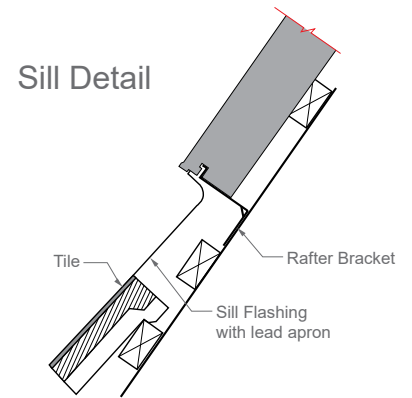
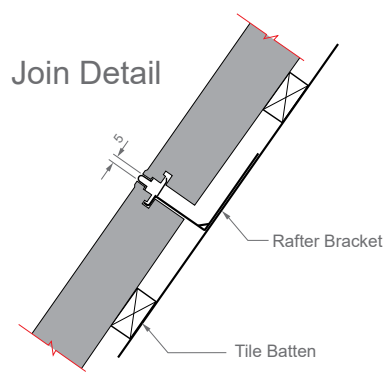
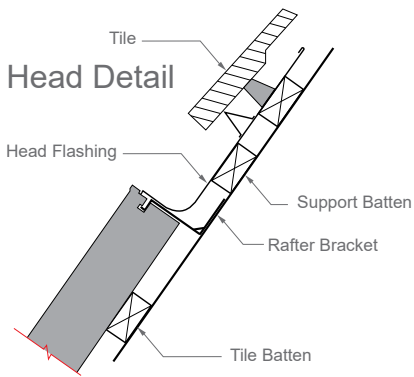
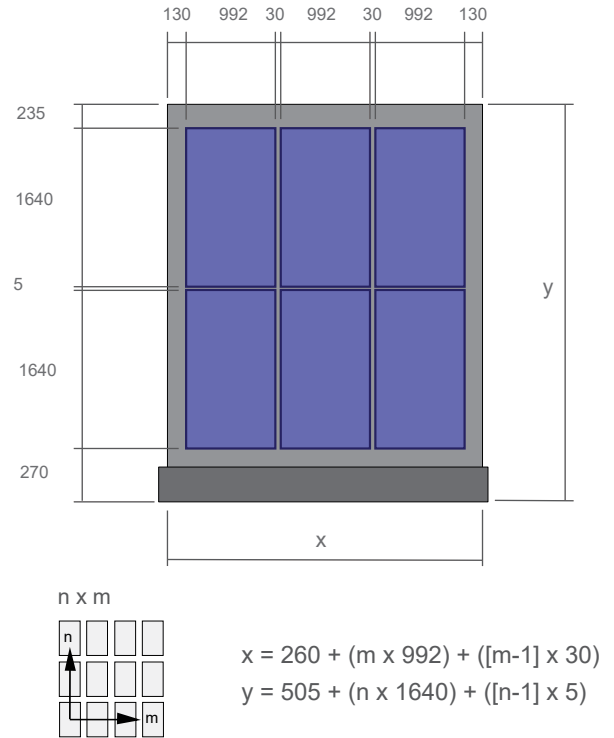
<sup>4</sup> Nominal Operating Cell Temperature

Electrical specification measured under standard test conditions: Irradiation 1 kW/m<sup>2</sup> with light spectrum AM 1.5 and a cell temperature of 25°C.

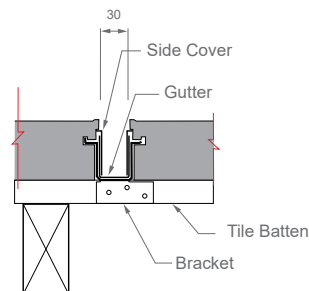
### Pitched Roof Integration

Sleek, low-profile integrated solar that replaces the roof covering for an improved aesthetic and for simple roof maintenance, now at similar cost to above-roof panels. Simple, beautiful, durable.

Solar never looked so good.



Side Detail



Gutter Detail  
(joined flashings)